

TLI **STREACOM**
USER GUIDE

Page

2.....	Index, Foreword
3.....	Product Overview
4.....	Unpack and Position
5.....	Connecting the TL1
6.....	General Operation

Foreword

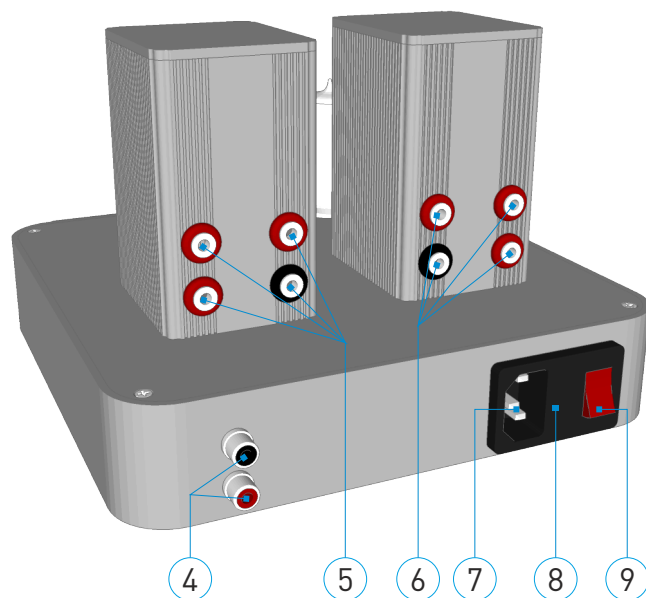
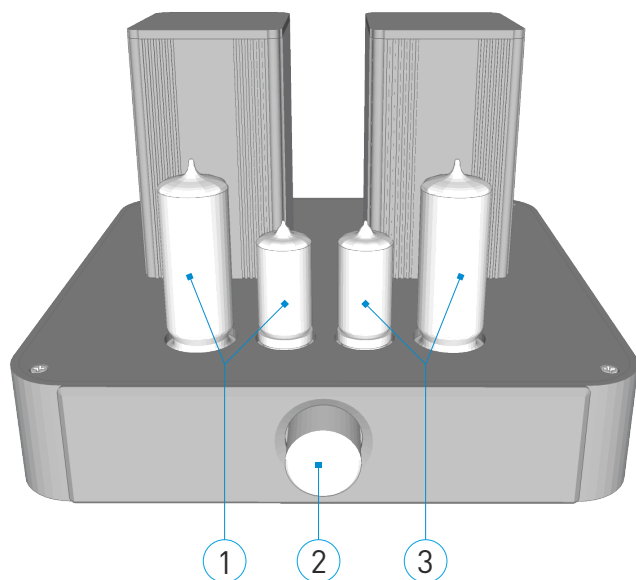
Thank you for your purchase of this Streamcom product. Every care has been taken to ensure that it meets with the highest quality and standards that we have set for ourselves.

Should you have any questions that are not covered in this user guide, support can be offered via email through our website at www.streamcom.com

We sincerely hope that you enjoy using our product!

Specification

Valve Tube Model	6F3
Power Output	2.5W + 2.5W @ 8 Ohms
Frequency Response	800Mv
Residual Noise	< 0.6 mV AC
Input Voltage	100 - 240V AC Standard IEC Jack with fuse protection (2A)
Power Consumption	33W
Input Impedance	10K Ohms
Output Impedance	16/8/6/4 Ohms
Dimensions	132 × 96 × 100mm (W×D×H)
Input Connector Type	RCA Jacks
Output Connector Type	Banana Jacks
Weight	1.7Kg



Key Features

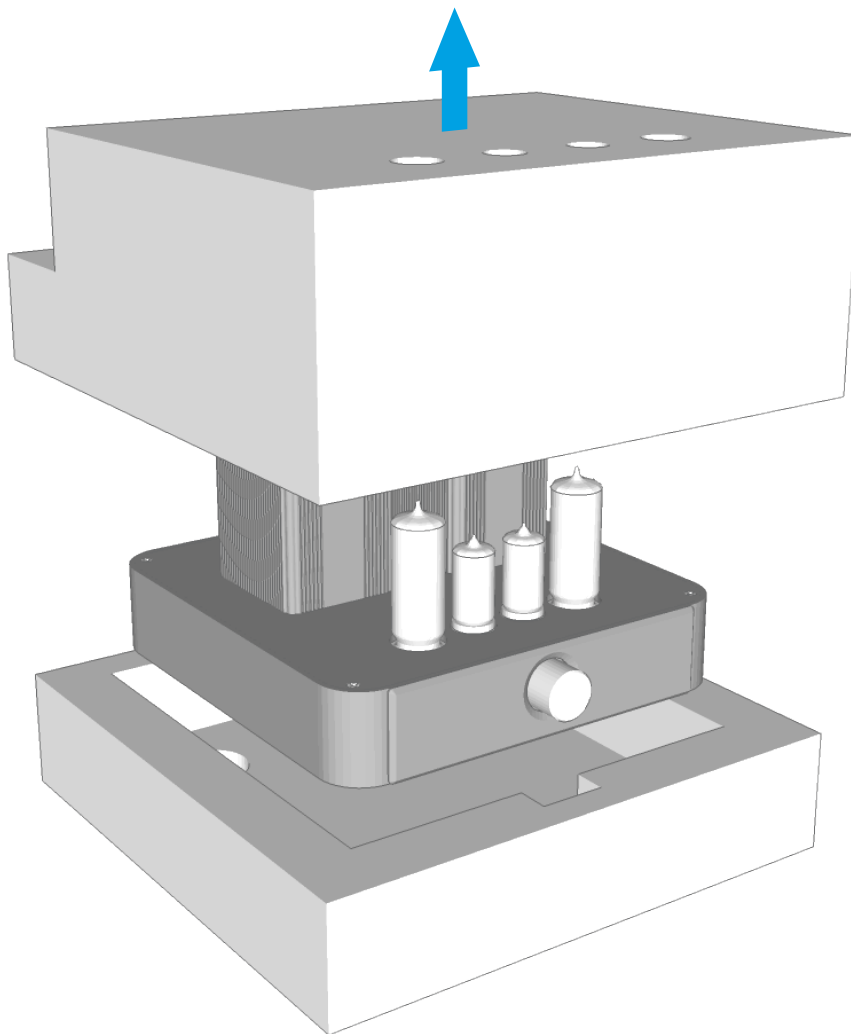
1.... L Channel Vacuum Tubes
2.... Volume Control
3.... R Channel Vacuum Tubes

4.... Input Jacks
5.... R Channel Output Jacks
6.... L Channel Output Jacks

7.... AC Power Socket
8.... Fuse Holder
9.... Power Switch

Unpack and Position

Carefully remove the amplifier from the box and protective packing, ensuring not to damage the vacuum tubes.

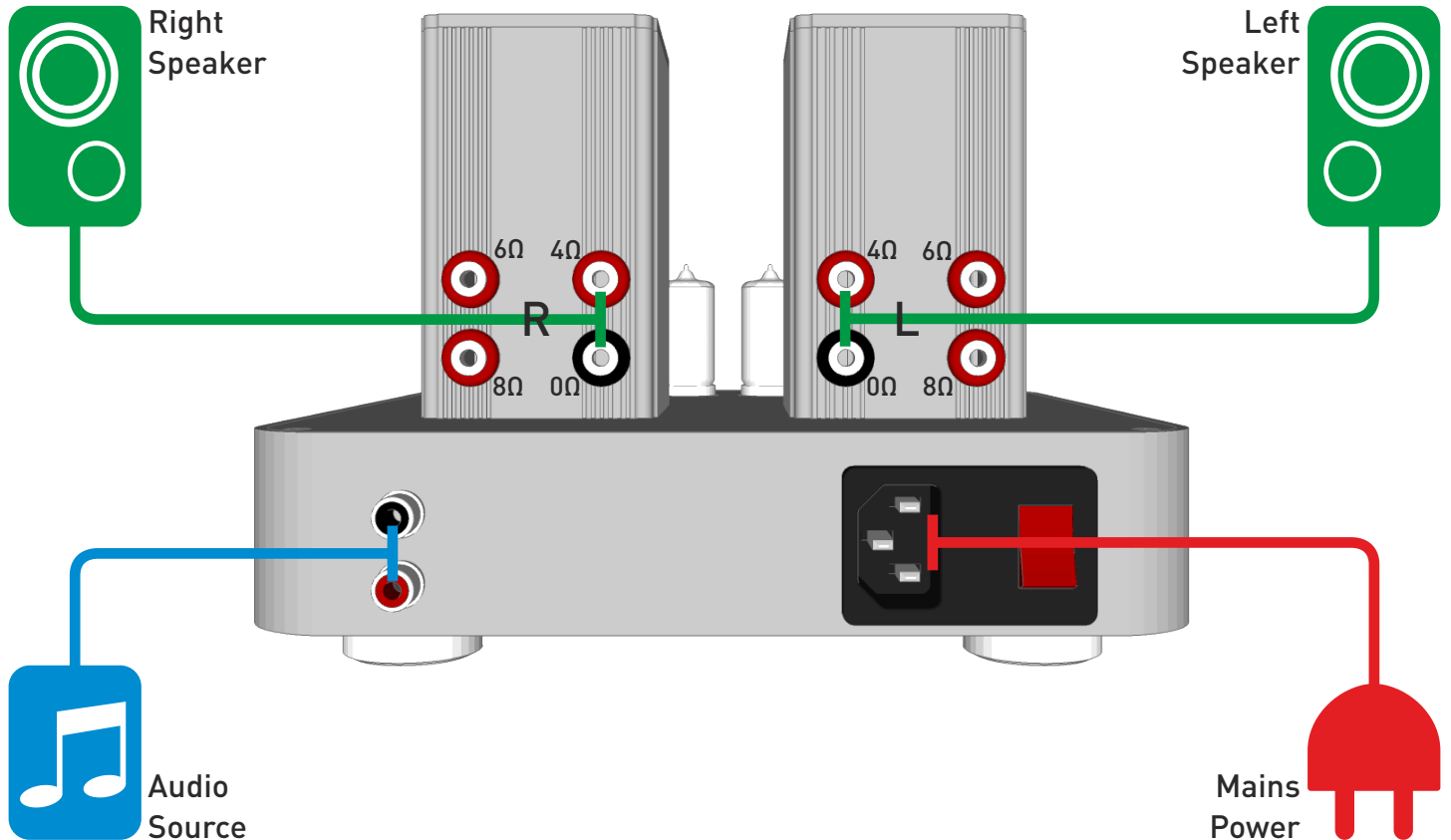


With the amplifier unpacked, check the vacuum tubes have not been damaged and are properly installed into the sockets.

You can now place the TL1 in the appropriate location near your audio source.

Connecting the TL1

Speakers - Connect the '-' terminal of your speakers to the 0Ω terminal of the amplifier. Depending on your speaker impedance, connect the '+' terminal to either the 4, 6 or 8Ω terminal of the amplifier. Note - Only 1 black and 1 red terminal from each side should be connected.

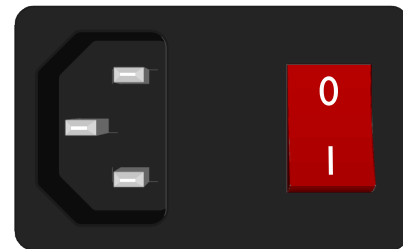


Audio Source - Connect the amplifier to your audio source e.g. the line out from your HTPC

Power - Finally connect the amplifier to the mains electricity socket, 100-240 VAC

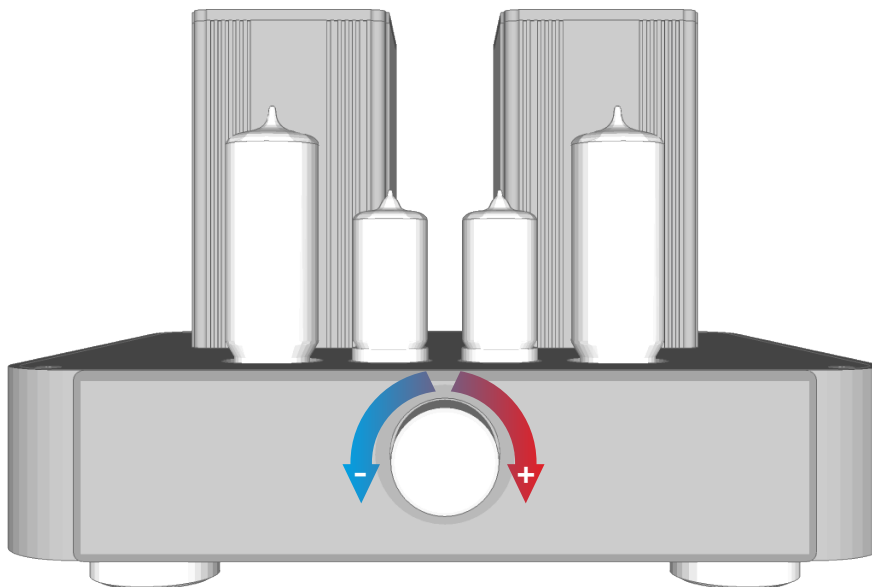
Turning on the TL1

The power switch is located on the back of the TL1. To turn on the amplifier, simply push the switch downwards to position '1'. To turn off the amplifier, push the switch to position '0'



Controlling the Volume

To adjust the volume, turn the volume knob clockwise to increase and anti-clockwise to reduce.



General Precautions

Do not operate or store the TL1 in damp conditions.

Never operate the TL1 without speakers connected, doing so can cause permanent damage.

There are no user serviceable parts inside the amplifier and it should only be opened by a qualified service engineer.

STREACOM

Melbournestraat 56,
3047 BJ Rotterdam,
The Netherlands
www.streacom.com

V1.12.02